

MDE Semiconductor, Inc.

201 Shipyard Way, Unit C, Newport Beach, CA., USA 92663 Tel : 760-564-8656 • Fax : 760-564-2414

1-800-831-4881 Email: sales@mdesemiconductor.com Web: www.mdesemiconductor.com

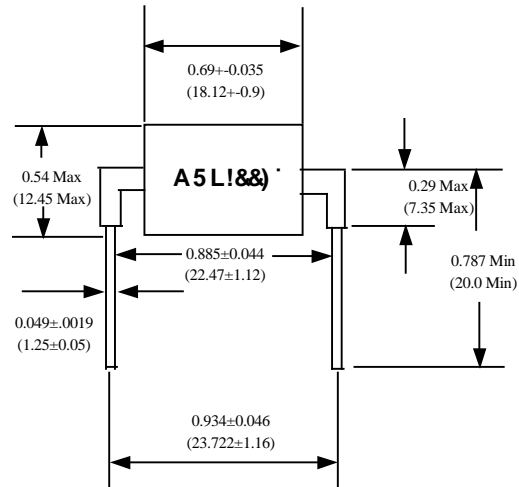
A5LDU_! 'GYf]Yg'

A5L!&&)'

<= <'7I FF9BH'HF5BG-9BH'JC @H5; 9'GI DDF9GGCF'

: 95HI F9G'

- %\$?5 'Gi f[Y7 UdUM']m@ 8 x 20 µsec waveform (per IEC- 61000-4-5)
- UL 1449 Pending'
- Peak Power Dissipation 324KW'
- Bi-directional'
- Excellent clamping capability
- Repetition rate (duty cycle): 0.05%
- Sharp breakdown voltage
- Low incremental surge resistance
- Fast response time: typically less than 1.0 µs from 0 Volts to BV
- Operation temperature: -40°C to +125°C
- Epoxy encapsulated package has Underwriters Laboratory Flammability Classification 94 V-0



Dimensions in inches
and
(Millimeters)

A97 <5B=7 5 @8 5H5'

HYfa]bU. 'Ag Plated Axial leads, solderable per MIL-STD-750. Method 2026

Aci bh]b['Dcg]h]cb: Any

K Y] [\ h 0.408 ± 0.040 ounces (11.300 ± 1.130g)

A5L=A! A'F5HB; G'5B8 '7 <5F57H9F-GH7G'

Ratings at 25° C ambient temperature unless otherwise specified.

F5HB;'	GMA6C@	J5 @ 9'	I B=HG'
Reverse Standoff Voltage	V _{rw}	202.5	Volt
Breakdown Voltage @ IT=1.0mA	V _{br}	225 ± 5%	Volt
Clamping Voltage @ 1080A / 10x1000 µsec waveform	V _c	299 max	Volt
Reverse Leakage @ 202.5V	IR	20 µ max	A

MDE Semiconductor, Inc.

201 Shipyard Way, Unit C, Newport Beach, CA., USA 92663 Tel : 760-564-8656 • Fax : 760-564-2414

1-800-831-4881 Email: sales@mdesemiconductor.com Web: www.mdesemiconductor.com

MAXPak™ 225 Series Rating and Characteristic Curves

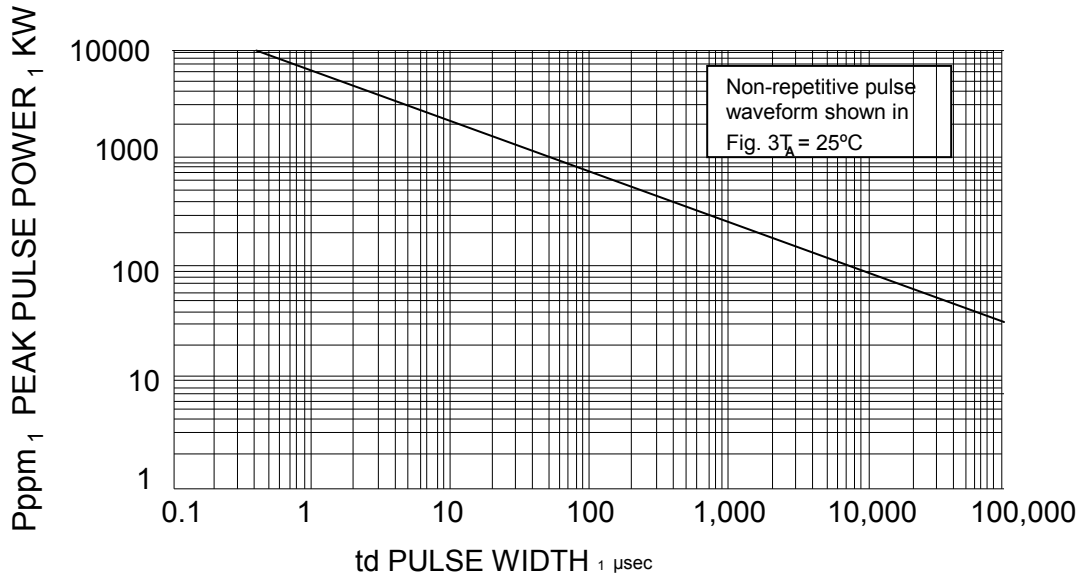


FIG. 1 PEAK PULSE POWER RATING

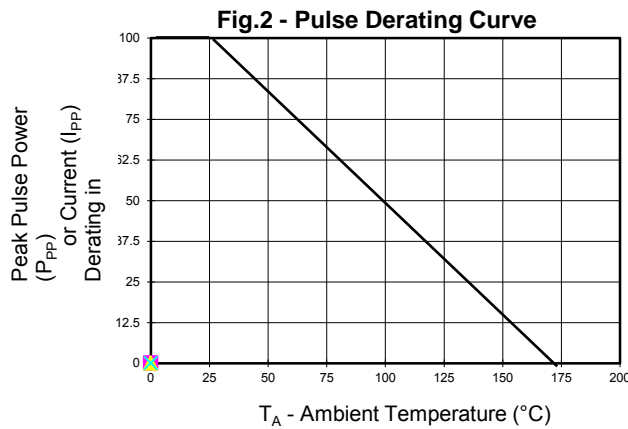


Fig.2 - Pulse Derating Curve

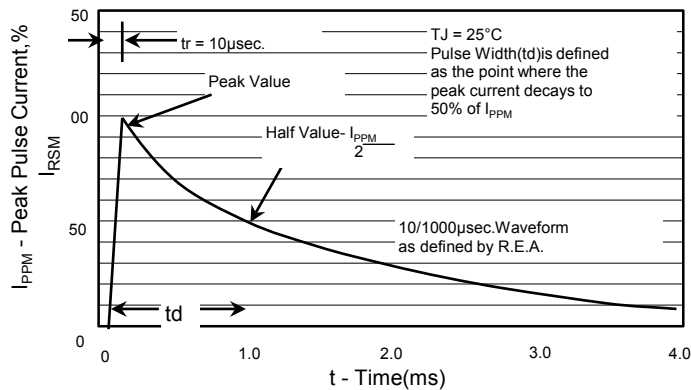


Fig.3 - Pulse Waveform