

# MDE Semiconductor, Inc.

201 Shipyard Way, Unit C, Newport Beach, CA U.S.A. 92663 Tel: 760-564-8656 • Fax: 760-564-2414

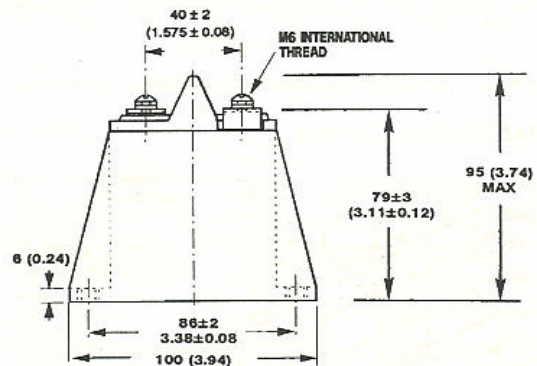
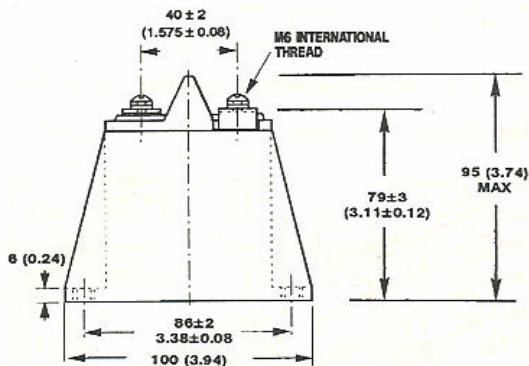
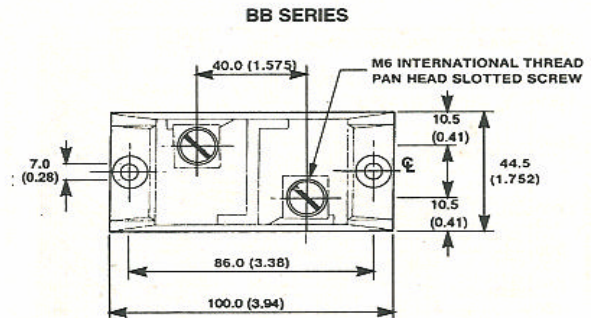
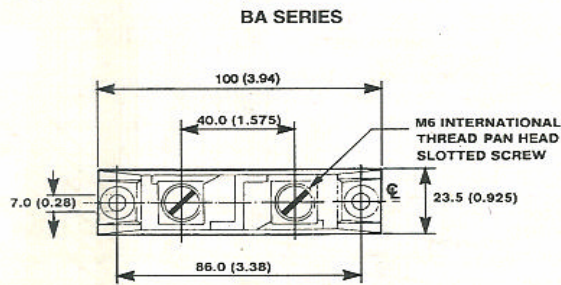
1-800-831-4881 Email: sales@mdesemiconductor.com Web: www.mdesemiconductor.com

## BA/BB 60 Series Block Varistor

### 60 Series

PART NUMBER	Varistor Voltage V@1mA (v)	Maximum Allowable Voltage		Max Clamping Voltage (8/20 $\mu$ S)		Max. Energy (J) 10/1000 $\mu$ S	Max. Peak Current (8/20 $\mu$ S)		Typical Capacitance (Reference) 1kHz (pF)
		ACrms (v)	DC (v)	Vc (v)	Ip (A)		1 time (A)	2Times (A)	
V131BA60	200 (184-228)	130	175	340	500	450	70000	50000	20000
V151BA60	240 (212-268)	150	200	400	500	530	70000	50000	16000
V251BA60	390 (351-429)	250	330	620	500	880	70000	50000	10000
V271BA60	430 (389-473)	275	369	680	500	950	70000	50000	9000
V321BA60	510 (462-561)	320	420	760	500	1100	70000	50000	7500
V421BA60	680 (610-748)	420	560	1060	500	1500	70000	50000	6000
V481BA60	750 (670-825)	480	640	1160	500	1600	70000	50000	5500
V511BA60	820 (735-910)	510	675	1300	500	1800	70000	50000	5000
V571BA60	910 (805-1000)	575	730	1420	500	2100	70000	50000	4500
V661BA60	1050 (940-1160)	660	850	1640	500	2300	70000	50000	4000
V751BA60	1200 (1080-1320)	750	970	1880	500	2600	70000	50000	3500
V881BA60	1500 (1290-1650)	880	1150	2340	500	3200	70000	50000	2700
V112BB60	1800(1620-2060)	1100	1400	2940	500	3800	70000	50000	2200
V142BB60	2200 (2020-2550)	1400	1750	3600	500	5000	70000	50000	1800
V172BB60	2700 (2500-3030)	1700	2150	4300	500	6000	70000	50000	1500
V220BB60	3300 (2970-3630)	2000	2500	5200	500	7500	70000	50000	1200
V242BB60	3900 (3510-4290)	2400	3000	6200	500	8600	70000	50000	1000
V282BB60	4700 (4230-5170)	2800	3500	7400	500	10000	70000	50000	800

#### Mechanical Dimensions



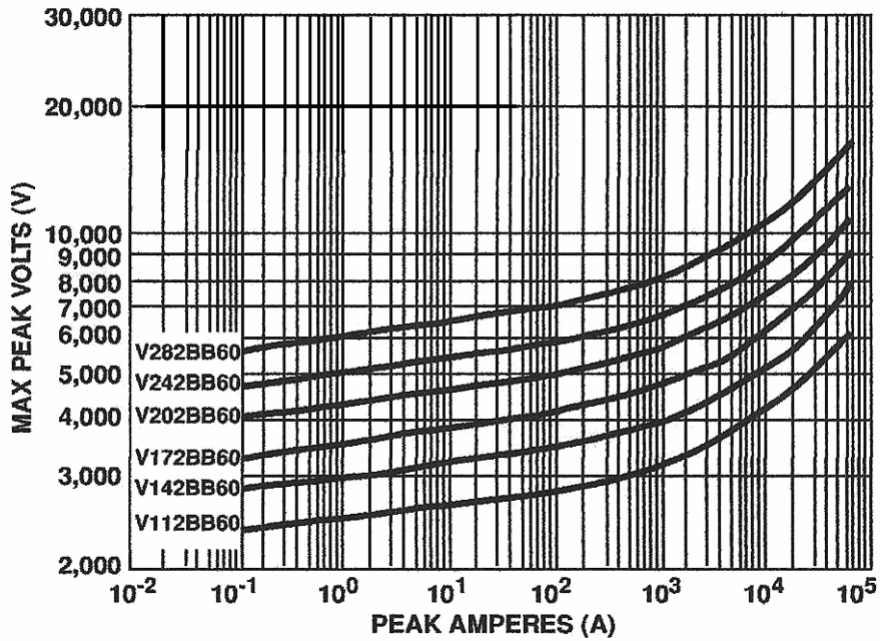
# MDE Semiconductor, Inc.

201 Shipyard Way, Unit C, Newport Beach, CA U.S.A. 92663 Tel: 760-564-8656 • Fax: 760-564-2414

1-800-831-4881 Email: sales@mdesemiconductor.com Web: www.mdesemiconductor.com

## BA/BB 60 Series Block Varistor

### Clamping Voltage Curves



### Pulse Rating Curves

