

MDE Semiconductor, Inc.

201 Shipyard Way, Unit C, Newport Beach, CA U.S.A. 92663 Tel: 760-564-8656 • Fax: 760-564-2414

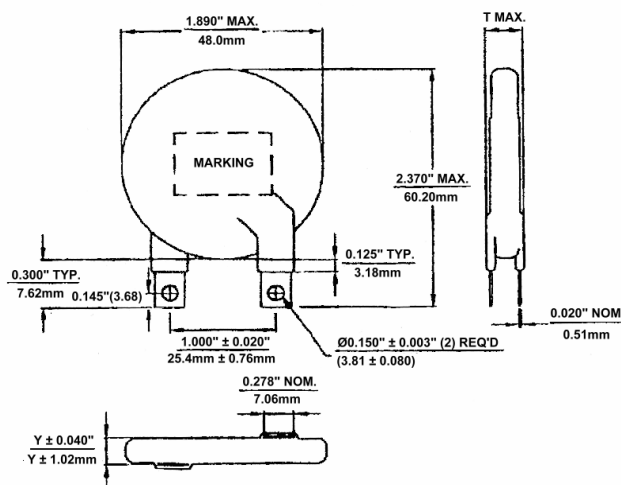
1-800-831-4881 Email: sales@mdesemiconductor.com Web: www.mdesemiconductor.com

Metal Oxide Varistors

High Energy Series 40mm Single Disc

PART NUMBER	Varistor Voltage	Maximum Allowable Voltage		Max Clamping Voltage (8/20 μ S)		Max. Energy (J)	Max. Peak Current (8/20 μ S)	Typical Capacitance (Reference)
	V@1mA (v)	ACrms (v)	DC (v)	Vc (v)	Ip (A)	10/1000 μ S	1 time (A)	1kHz (pF)
MDE-40D201K	200 (185-225)	130	170	340	300	310	40000	10000
MDE-40D221K	220 (198-242)	140	180	360	300	330	40000	9000
MDE-40D241K	240 (216-264)	150	200	395	300	360	40000	8000
MDE-40D271K	270 (243-297)	175	225	455	300	390	40000	7100
MDE-40D301K	300 (270-330)	195	250	500	300	410	40000	6600
MDE-40D331K	330 (297-363)	210	285	545	300	430	40000	6000
MDE-40D361K	360 (324-396)	230	300	595	300	460	40000	5600
MDE-40D391K	390 (351-429)	250	320	650	300	490	40000	5000
MDE-40D431K	430 (387-473)	275	350	710	300	550	40000	4500
MDE-40D471K	470 (423-517)	300	385	775	300	600	40000	4000
MDE-40D511K	510 (459-561)	320	415	845	300	640	40000	3800
MDE-40D561K	560 (504-616)	350	460	925	300	720	40000	3500
MDE-40D621K	620 (558-682)	385	505	1025	300	800	40000	3300
MDE-40D681K	680 (612-748)	420	560	1120	300	910	40000	3000
MDE-40D751K	750 (675-825)	460	615	1240	300	920	40000	2600
MDE-40D781K	780 (702-858)	485	640	1290	300	920	40000	2500
MDE-40D821K	820 (738-902)	510	670	1355	300	940	40000	2300
MDE-40D911K	910 (819-1001)	550	745	1500	300	960	40000	2200
MDE-40D951K	950 (855-1045)	575	765	1570	300	1000	40000	2000
MDE-40D102K	1000 (900-1100)	625	825	1650	300	1040	40000	1900
MDE-40D112K	1100 (990-1210)	680	895	1815	300	1150	40000	1550
MDE-40D122K	1200 (1080-1320)	750	980	1980	300	1200	40000	1500
MDE-40D182K	1800 (1620-1980)	1125	1440	2970	300	1800	40000	1400
MDE-40D192K	1900 (1710-2090)	1187	1520	3110	500	2000	40000	1300
MDE-40D222K	2200 (2025-2420)	1400	1750	3520	500	2200	40000	1200

* 50KA Version Available



MDE Semiconductor, Inc.

201 Shipyard Way, Unit C, Newport Beach, CA U.S.A. 92663 Tel: 760-564-8656 • Fax: 760-564-2414

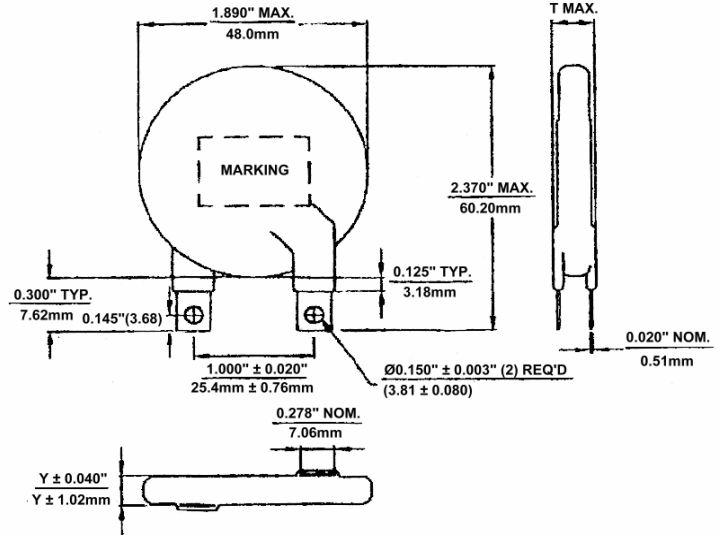
1-800-831-4881 Email: sales@mdesemiconductor.com Web: www.mdesemiconductor.com

Metal Oxide Varistors

High Energy Series 40mm Single Disc

40mm Varistor

Standard Dmensions: Inches (mm)		
	Y	T
Voltage		
130	0.100 (2.54)	0.248 (6.30)
140	0.110 (2.79)	0.252 (6.40)
150	0.110 (2.79)	0.257 (6.53)
180	0.110 (2.79)	0.267 (6.78)
230	0.130 (3.30)	0.280 (7.11)
250	0.140 (3.56)	0.287 (7.29)
270	0.140 (3.56)	0.294 (7.47)
300	0.150 (3.81)	0.305 (7.75)
320	0.150 (3.81)	0.312 (7.92)
390	0.170 (4.32)	0.312 (7.92)
420	0.180 (4.57)	0.332 (8.43)
460	0.190 (4.83)	0.344 (8.74)
480	0.190 (4.83)	0.350 (8.89)
510	0.200 (5.08)	0.360 (9.14)
550	0.220 (5.59)	0.373 (9.47)
580	0.220 (5.59)	0.382 (9.70)
620	0.230 (5.84)	0.395 (10.00)
680	.0250 (6.35)	0.414 (10.50)
750	0.280 (7.11)	0.460 (11.70)
880	0.320 (8.13)	0.476 (12.10)
1000	0.370 (9.40)	0.512 (13.10)



MDE Semiconductor, Inc.

201 Shipyard Way, Unit C, Newport Beach, CA U.S.A. 92663 Tel: 760-564-8656 • Fax: 760-564-2414

1-800-831-4881 Email: sales@mdesemiconductor.com Web: www.mdesemiconductor.com

Metal Oxide Varistors

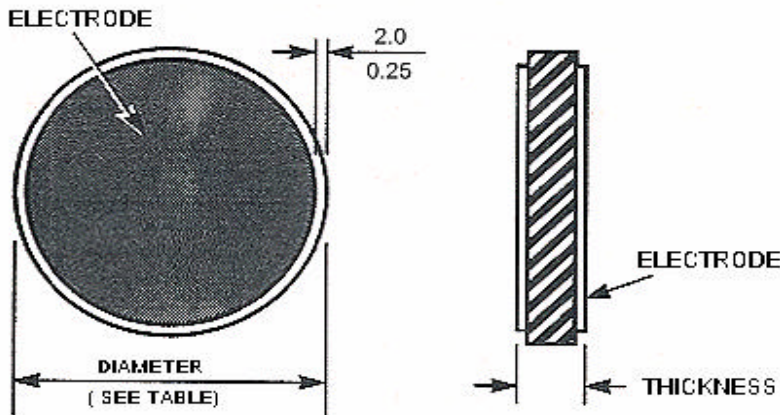
High Energy Bare Disk Varistor Series

Metal Oxide Disc Varistors

The Disc Varistor Series of transient surge suppressors are industrial high-energy disc varistors (MOVs) intended for special applications requiring unique electrical contact or packaging methods provided by the customer. The electrode finish of these devices is solderable and can also be used with pressure contacts. Disc of the same diameter can be stacked.

This series of industrial disc varistors are available in five diameter sizes of 20, 25, 32, 40, 53, 60, and 80 with disc thickness ranging from 1.8mm to 32mm maximum. They offer a wide voltage range from 130 to 2800 $V_{M(AC)RMS}$

Bare Disc Dimensions



Features

- Provided in Disc Form For Unique Packing by Customer
- Solderable Electrode Finish Options
- Pressure Contacts and/or Disc Stacking May Be Utilized
- Standard Disc Sizes 20mm, 25mm, 32mm, 40mm, and 53mm diameter
- Available Edge Passivation Insulation
- Wide Operating Voltage Range $V_{m(ac)rms}$ 130V to 750V.
- High Peak Pulse Current Range I_{TM} 20,000A to 70,000A
- Very High Energy Capability W_{TM} 200J to 1,800J
- No Derating Up to 85°C Ambient.

Model Size	Disc Diameter			
	Millimeters		Inches	
	Min	Max	Min	Max
20	20.0	22.0	0.797	0.810
25	24.0	26.0	0.945	1.026
32	31.0	33.0	1.220	1.299
40	38.0	40.0	1.496	1.575
53	51.0	53.0	2.008	2.090
60	58.0	60.0	2.286	2.362
80	78.0	80.0	3.073	3.15