

MDE Semiconductor, Inc.

201 Shipyard Way, Unit C, Newport Beach, CA U.S.A. 92663 Tel: 760-564-8656 • Fax: 760-564-2414

1-800-831-4881 Email: sales@mdesemiconductor.com Web: www.mdesemiconductor.com

Metal Oxide Varistors

High Energy D Series 25mm Disc

PART NUMBER	Varistor Voltage	Maximum Allowable Voltage		Max Clamping Voltage (8/20 μ S)		Max. Energy (J)	Max. Peak Current (8/20 μ S)	Typical Capacitance (Reference)	Dimensions	
	V@1mA (v)	ACrms (v)	DC (v)	Vc (v)	Ip (A)	10/1000 μ S	1 time (A)	1kHz (pF)	T max (mm)	L \pm 0.10 (mm)
MDE-25D201K	200 (185-225)	130	175	340	150	190	20000	3600	6.80	4.90
MDE-25D221K	220 (198-242)	140	180	360	150	200	20000	3300	6.80	4.90
MDE-25D241K	240 (216-264)	150	200	395	150	220	20000	3000	7.00	5.10
MDE-25D271K	270 (243-297)	175	225	455	150	255	20000	2600	7.10	5.20
MDE-25D301K	300 (270-330)	195	250	500	150	275	20000	2400	7.30	5.40
MDE-25D331K	330 (297-363)	210	275	550	150	300	20000	2200	7.50	5.60
MDE-25D361K	360 (324-396)	230	300	595	150	330	20000	2100	7.70	5.80
MDE-25D391K	390 (351-429)	250	330	650	150	360	20000	1900	7.90	6.00
MDE-25D431K	430 (387-473)	275	370	710	150	380	20000	1700	8.10	6.20
MDE-25D471K	470 (423-517)	300	385	775	150	440	20000	1600	8.40	6.50
MDE-25D511K	510 (459-561)	320	420	845	150	440	20000	1500	8.70	6.80
MDE-25D561K	560 (504-616)	360	470	825	150	440	20000	1300	9.00	7.10
MDE-25D621K	620 (558-682)	390	505	1025	150	440	20000	1200	9.40	7.50
MDE-25D681K	680 (612-748)	420	560	1120	150	460	20000	1100	9.80	7.90
MDE-25D751K	750 (675-825)	460	615	1240	150	510	20000	1000	10.00	8.00
MDE-25D781K	780 (702-858)	485	640	1290	150	530	20000	990	10.20	8.30
MDE-25D821K	820 (738-902)	510	675	1355	150	570	20000	920	10.70	8.80
MDE-25D911K	910 (819-1001)	550	745	1500	150	620	20000	860	10.90	9.00
MDE-25D951K	950 (855-1045)	575	765	1570	150	635	20000	800	11.20	9.30
MDE-25D102K	1000 (900-1100)	625	825	1650	150	685	20000	760	11.70	9.80
MDE-25D112K	1100 (990-1210)	680	895	1815	150	770	20000	650	12.80	10.90
MDE-25D122K	1200 (1080-1320)	750	980	1980	150	700	20000	550	13.80	11.90
MDE-25D162K	1600 (1414-1728)	1000	1200	2700	150	720	20000	500	14.00	12.50
MDE-25D182K	1800 (1620-1980)	1100	1400	3030	150	940	20000	450	14.90	13.00

MDE Semiconductor, Inc.

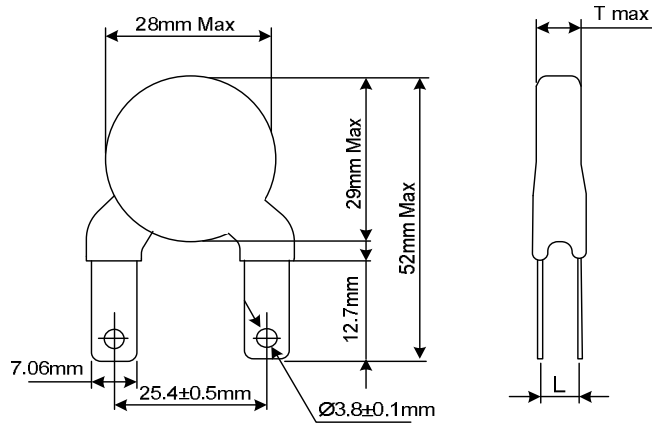
201 Shipyard Way, Unit C, Newport Beach, CA U.S.A. 92663 Tel: 760-564-8656 • Fax: 760-564-2414

1-800-831-4881 Email: sales@mdesemiconductor.com Web: www.mdesemiconductor.com

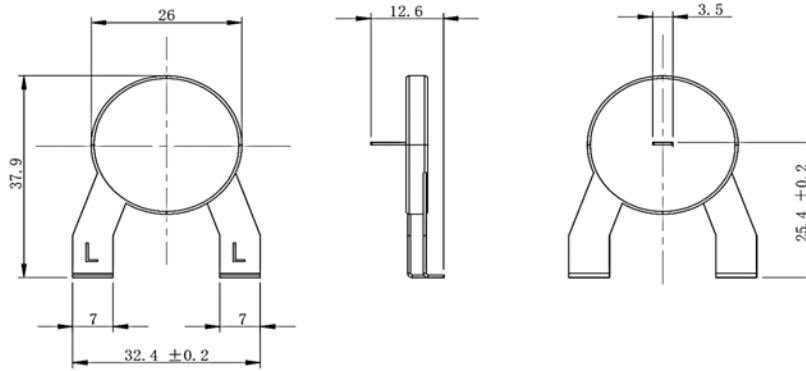
Metal Oxide Varistors

High Energy D Series 25mm Disc

Option 1



Option 2



Option 3

