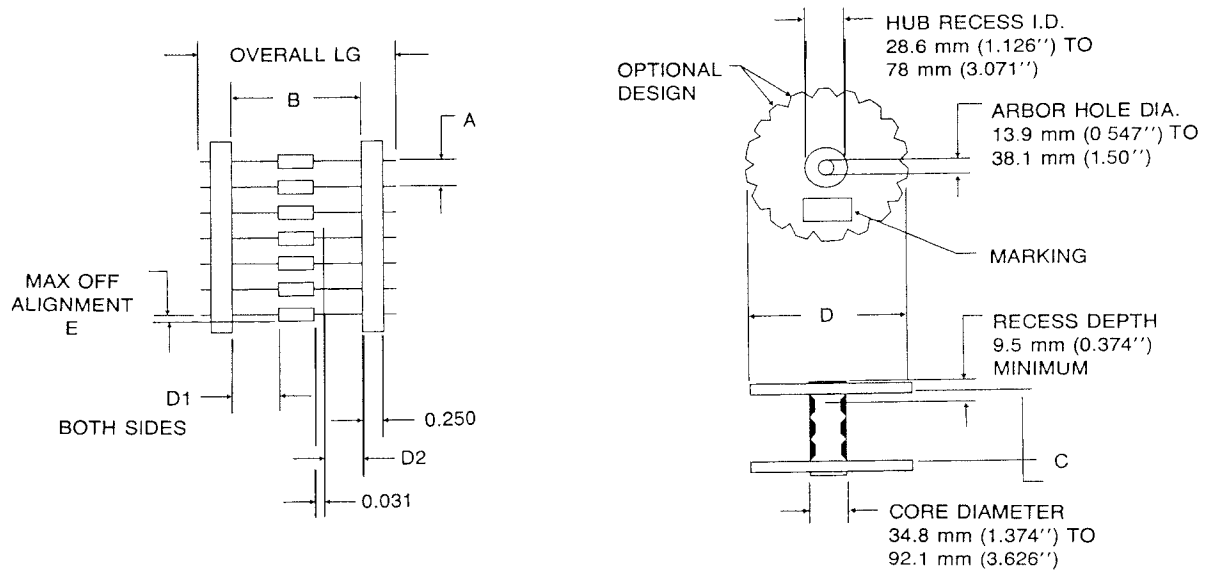


MDE Semiconductor, Inc.

201 Shipyard Way, Unit C, Newport Beach, CA., USA 92663 Tel : 760-564-8656 • Fax : 760-564-2414
1-800-831-4881 Email: sales@mdesemiconductor.com Web: www.mdesemiconductor.com

TAPE & REEL PACKING



Device Family	Case Type	Qty per Reel	Tape & Reel Code	Component Spacing Dimension A	Tape Spacing Dimension B	Reel Dimension TYP. C	Reel Dimension D (max)	Max Off Alignment E
P4KE Series 400 Watt Axial	DO-41	5000	TR	0.200" ± .020"	2.062" ± .059"	3"	14"	0.048"
SA Series 500 Watt Axial	DO-15	4000	TR	0.200" ± .020"	2.062" ± .059"	3"	14"	0.048"
P6KE Series 600 Watt Axial	DO-15	4000	TR	0.200" ± .020"	2.062" ± .059"	3"	14"	0.048"
1.5KE Series 1500 Watt Axial	DO-201	1200	TR	0.400" ± .020"	2.500" ± .059"	3"	14"	0.048"
5KP Series 5000 Watt Axial	P600	750	TR	0.400" ± .020"	2.500" ± .059"	3"	14"	0.048"

BULK PACKING

DEVICE FAMILY	CASE TYPE	PACKING SIZE (mm)	QUANTITY PER BOX
P4KE Series 400 Watt Axial	DO-41	203 × 84 × 22	1000
SA Series 500 Watt Axial	DO-15	203 × 84 × 22	500
P6KE Series 600 Watt Axial	DO-15	203 × 84 × 22	500
1.5KE Series 1500 Watt Axial	DO-201	305 × 77 × 41	200
5KP Series 5000 Watt Axial	P600	305 × 77 × 41	200